





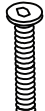
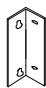





# Fiona Single & King Single Bed

Thank you for purchasing Fiona Single & King Single Bed. Please follow the manufacturer's assembly instructions in detail.

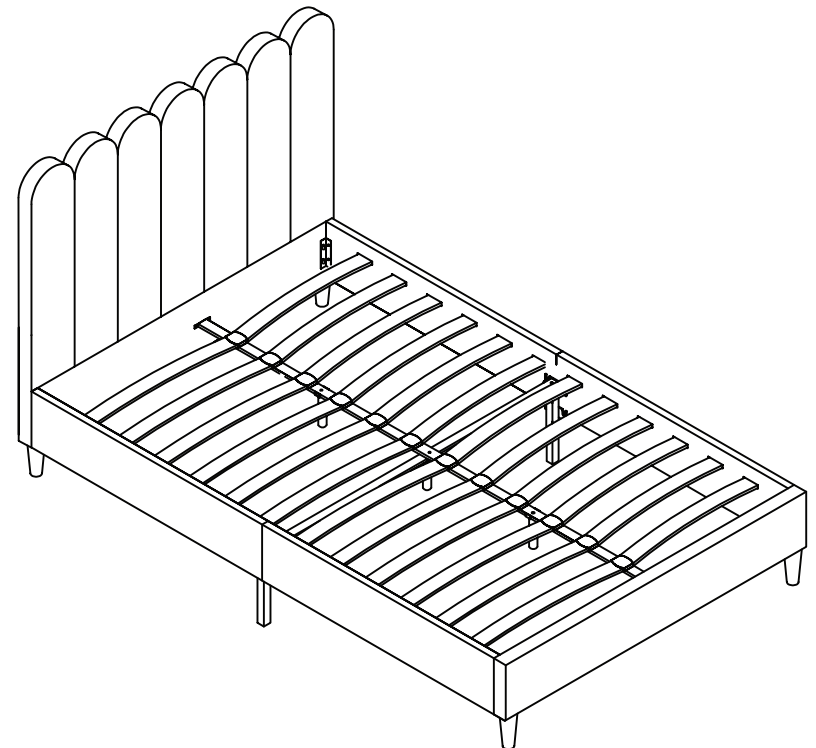
<b>A</b>  double cap x12	<b>B</b>  25mm bolt x8	<b>C</b>  spring washer x8	<b>D</b>  washer x12	<b>E</b>  25mm bolt x4
<b>F</b>  20mm bolt x 20	<b>H</b>  35mm bolt x1	<b>L</b>  left plate x2	<b>R</b>  right plate x2	
<b>T-1</b>  small allen key x1	<b>T-2</b>  large allen key x1	HARDWARE SUPPLIED		



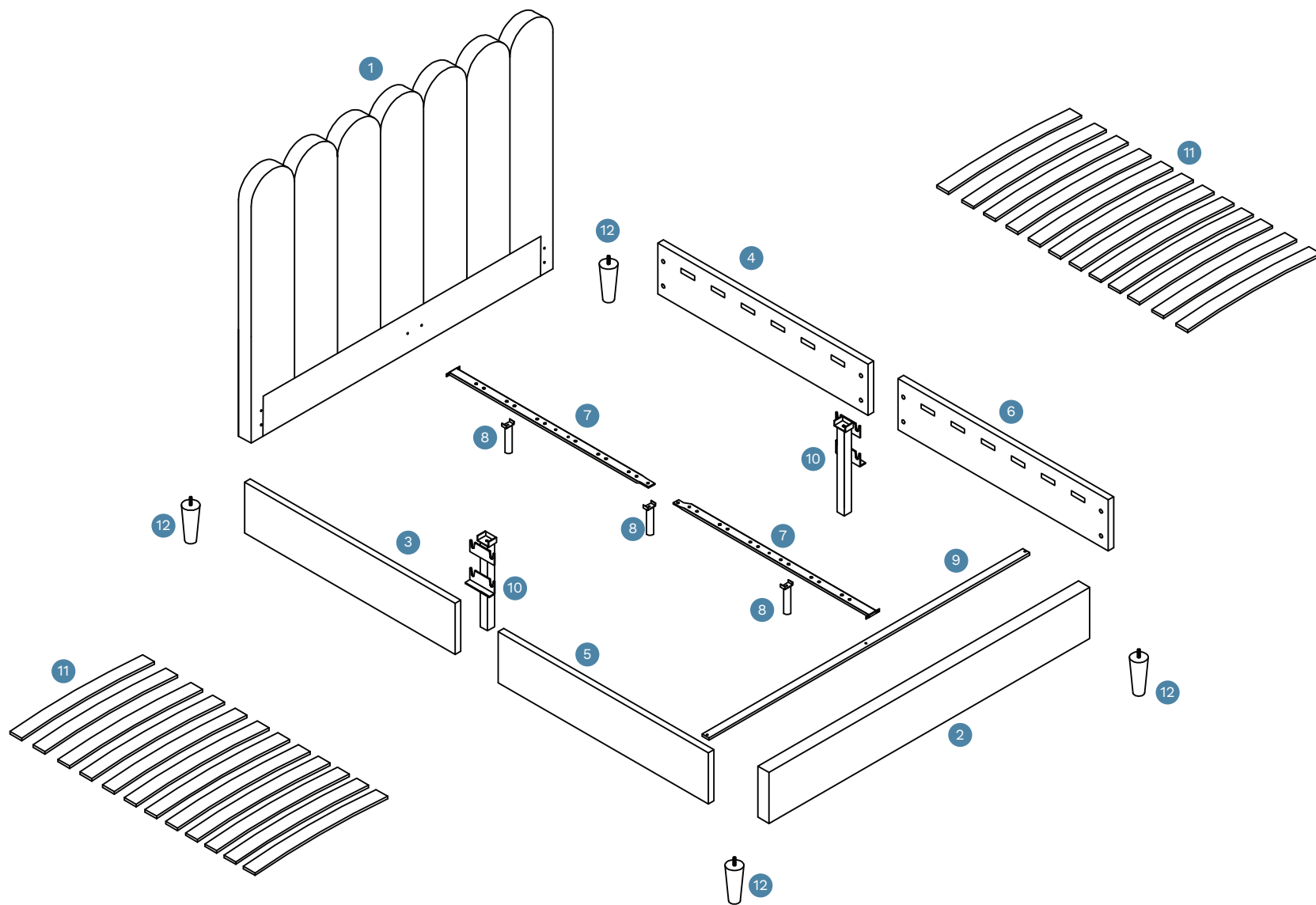
Phillips & Flathead screwdrivers required.

For quicker assembly, we recommend the use of a power drill on a low-speed setting.

**\* IMPORTANT NOTICE \***  
When moving the bed, please lift off the ground with two people, DO NOT drag, push or pull the bed across the floor, as this can result in damage to the supporting leg.

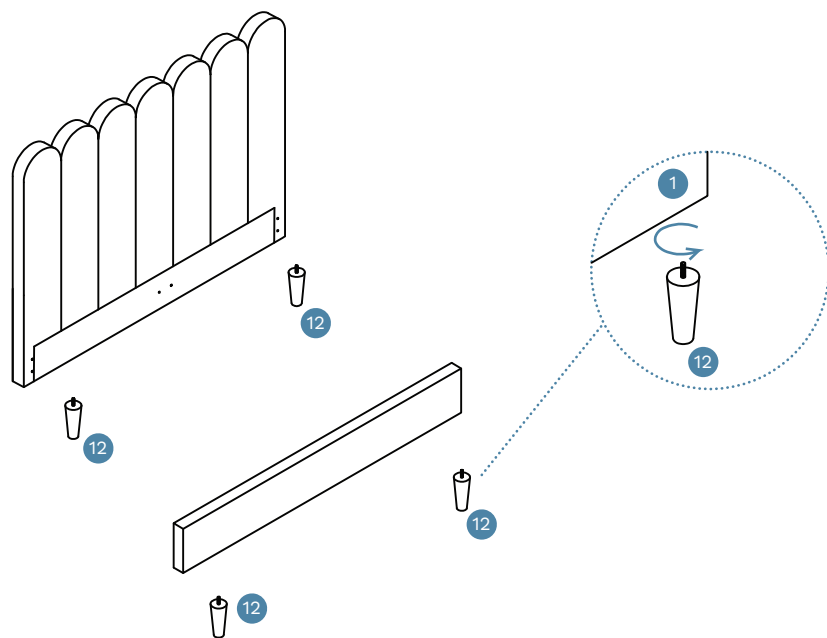


# Fiona Single & King Single Bed



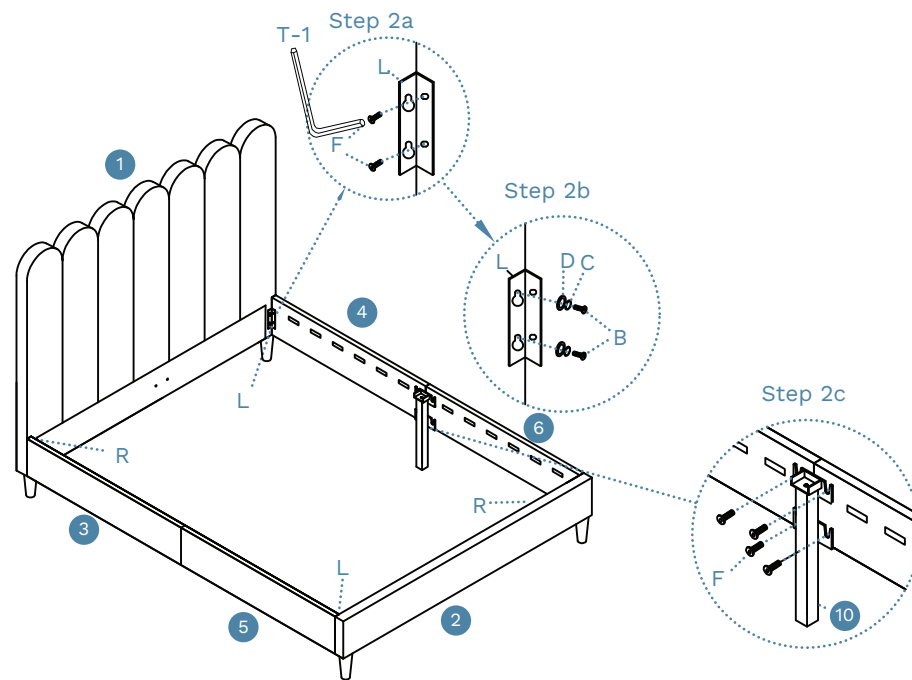
# Fiona Single & King Single Bed

1



Attach 4 x legs (12) to panels as shown.

2

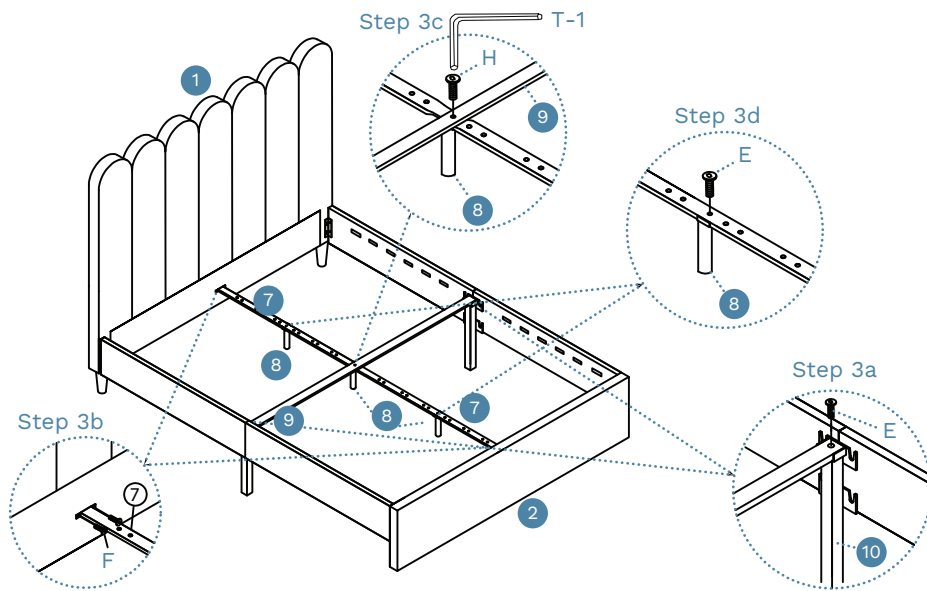


Attach 2 x left plates (L) and 2 x right plates (R) to panels [3], [4], [6] and [5] as shown in Step 2a and Step 2b and secure with 8 x bolts (F), 8 x bolts (B), 8 x spring washers (C) and 8 x washers (D).

Step 2c: Attach panel (10) and assembled frame together as shown and secure with 8 x bolts (F). Tighten with an Allen Key (T-1).

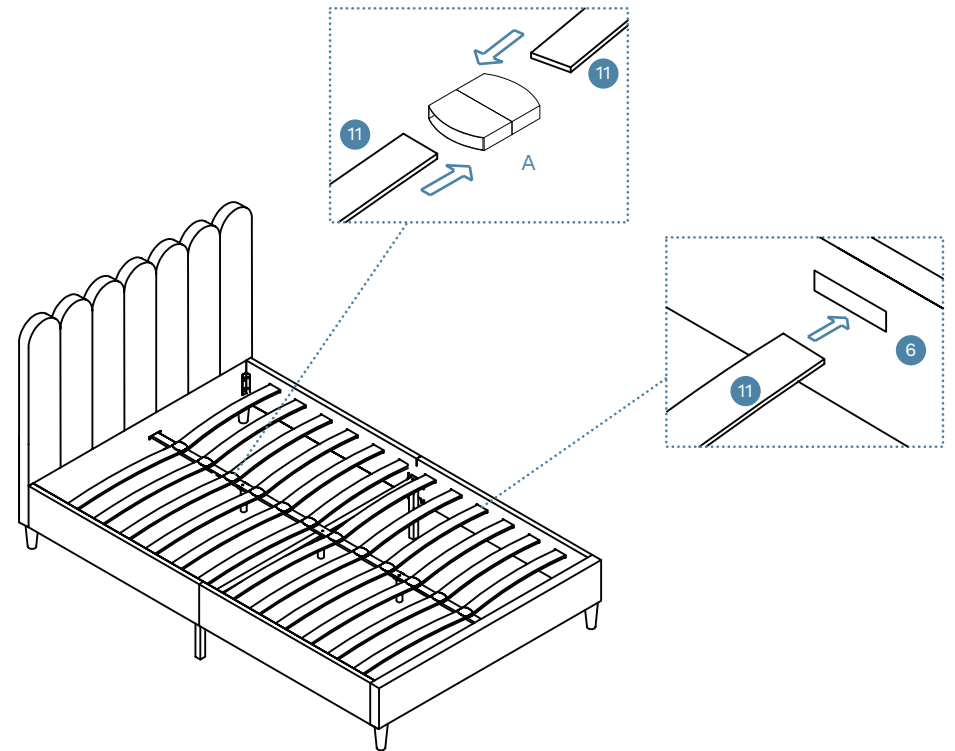
# Fiona Single & King Single Bed

3



Step 3a: Attach Panel (10) to assembled frame as shown and secure with 2 x bolts (E).  
 Step 3b: Attach Panel (7) to assembled frame as shown and secure with 2 x bolts (F).  
 Steps 3c and 3d: Attach Panel (8) to assembled frame as shown and secure with 1 x bolt (H) and 1 bolt (E). Tighten with an Allen Key (T-1).

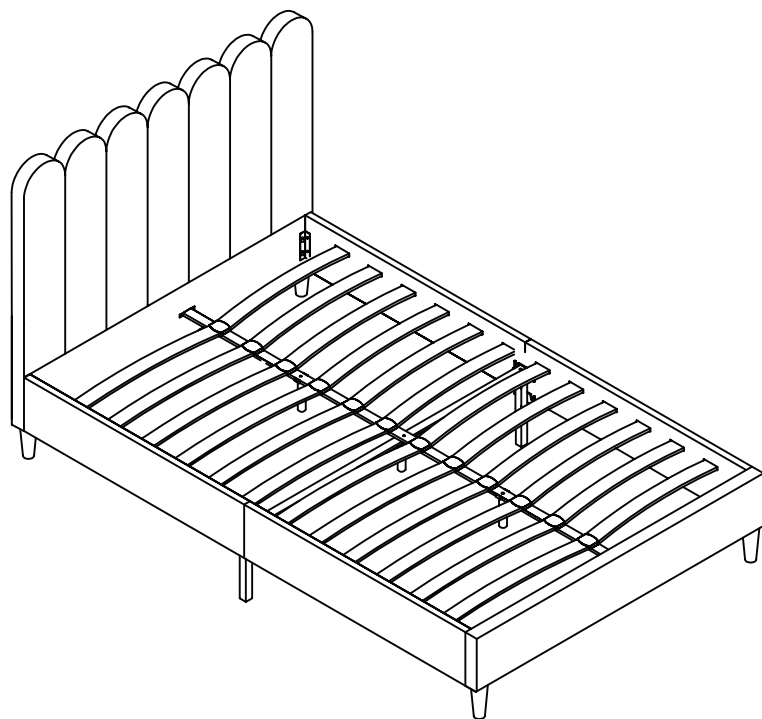
4



Join the bed planks together in the middle of the frame using 12x double caps (A). Insert the end of the planks into the bed frame as shown and attach the double caps (A) into panel [6]. Make sure the double caps (A) click securely into place.

# Fiona Single & King Single Bed

## 5



Once assembled lift furniture into place, do not drag. Ensure unit is balanced and steady before use. You're done, enjoy!